



Truck Loading Conveyors MC1 .

Accelerates the manual loading and unloading of trucks Adjustable height of delivery through hydraulic hand jack Height from 1100 to 3700 mm Grip face rubber belt for operation at higher angles of inclination Conveyor is mounted on wheels for ease of movement .

سيور تحميل سيارات MC1 .

سيور متحركة على عجل سهلة النقل من مكان الى آخر و تستخدم في تحميل و تفريغ سيارات النقل بسهولة و بسرعة و الارتفاع متغير لنقطة التفريغ بواسطة رافعة هيدروليكية يدوية الارتفاع من ١١٠٠ إلى ٣٧٠٠ مم .

Factory :New Borg El Arab 2nd Zone
entrance 2c street 3 - entrance 2c street 5
Tel:+20-(03)-4624127 - 4624126 - 4624025
fax : (03) 4624291

Info@UnitelEgypt.com

Cairo Office : Corniche El Nile, Maadi, Cairo
Tel +20:(0)2-25266333
Fax +20:(0)2-25264888

Sales@UnitelEgypt.com



www.UnitelEgypt.com

f YouTube /UnitelEgypt

MC1- Mobile Conveyor

Features

MC-1 is a single boom conveyor of variable height.

The conveyor is mounted on a movable frame which can be easily moved from one area to another.

Belt direction is bi-directional for loading or unloading operation.



Characteristics

A hydraulic jack easily raises and lowers the conveyor boom for stacking goods in warehouses or trucks.

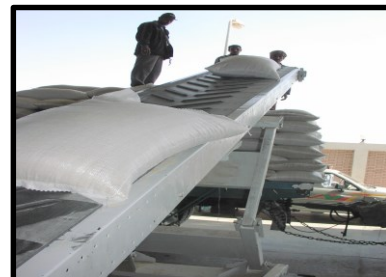
The movable frame is fitted with large wheels making it suitable for uneven floors.



The movable frame is equipped with floor rests to stabilize the conveyor during operation.

Applications

The MC-1 is extensively used for loading and unloading trucks, and filling or emptying containers.





It is also used for stacking goods in warehouses to maximize space utilization, and as a mobile mezzanine conveyor which can be wheeled in to the desired location.

MC1- Mobile Conveyor

Specifications

Loading Capacity	500 ~ 750 N/m
Drive Pulley Diameter	Ø273 mm.
Tail Pulley Diameter	Ø273 mm.
Return Rollers Diameter	Ø50 mm.
Return Rollers Pitch	1200 , 2400 mm.
Roller Diameter	Ø50
Take-up Distance	140 mm
Linear Speed	30 m/min
Mains Supply	380 VAC 50Hz 3Ph
Motor Power	1.5 ~ 3.7 kW
Motor Class	IP54
Insulation Class	IP54
Belt Materials	PVC Grip face, or 2-ply Chevron Rubber
Paint	Electrostatic Epoxy Powder RAL 7035

MC1- Mobile Conveyor

Dimensions	
Standard Width (W) 650	
Outer Distance (Wo) 754	
W	650
	Height HD min 900
	Height HD max 3700
Options	
Brake Motor	Yes
Bidirectional motion	Yes
Variable Speed Drives	Yes
Chevron type Rubber Belt Material	Standard
Grip Face Belt Type -PVC	Optional

Push Button Station and Emergency Stop Buttons are fitted as standard equipment.

مكتب القاهرة : برج القاتوينين كورنيش المعادى
تليفون : ٢/٢٥٢٦٦٣٣٣
فاكس : ٢/٢٥٢٦٤٨٨٨

مدينة برج العرب الجديدة - المنطقة الصناعية الثانية
يونيتل/ مدخل ٢ شارع ٣ - مدخل ٢ شارع ٥
تليفون : ٣/٤٦٢٤٤٢٤٤-٤٦٢٤٠٢٥-٤٦٢٤١٢٦-٤٦٢٤١٢٧
فاكس : ٣/٤٦٢٤٢٩١



www.UnitelEgypt.com



/UnitelEgypt

Sales@UnitelEgypt.com

Info@UnitelEgypt.com